

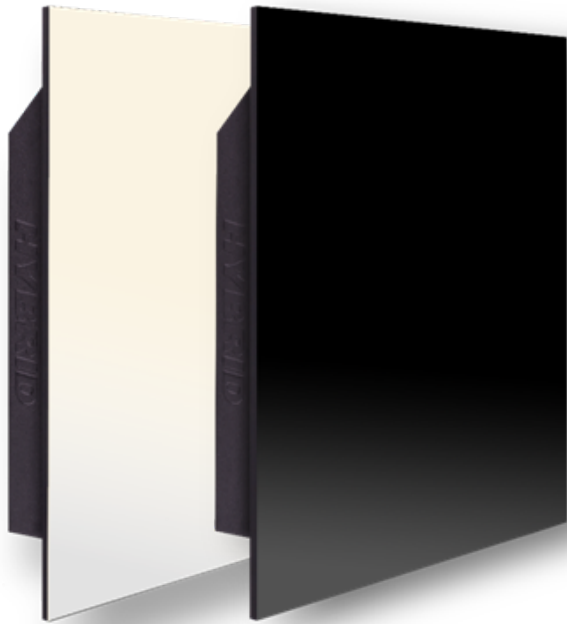
HYBRID
TECHNOLOGIES

PA AVANT-GROUP LTD

Ukraine, 18002, Cherkasy
Shevchenka st. 266, office 16



Ceramic electric heating panels are the newest patented development in field of energy-saving technologies. If you want to know what kind of eating will be demanded in coming 10 years — just look at that!



The main characteristics:

Size - 600/600/12mm

Weight - 10 kg

Work temperature: +70/85C

Voltage - 220V, 50Hz

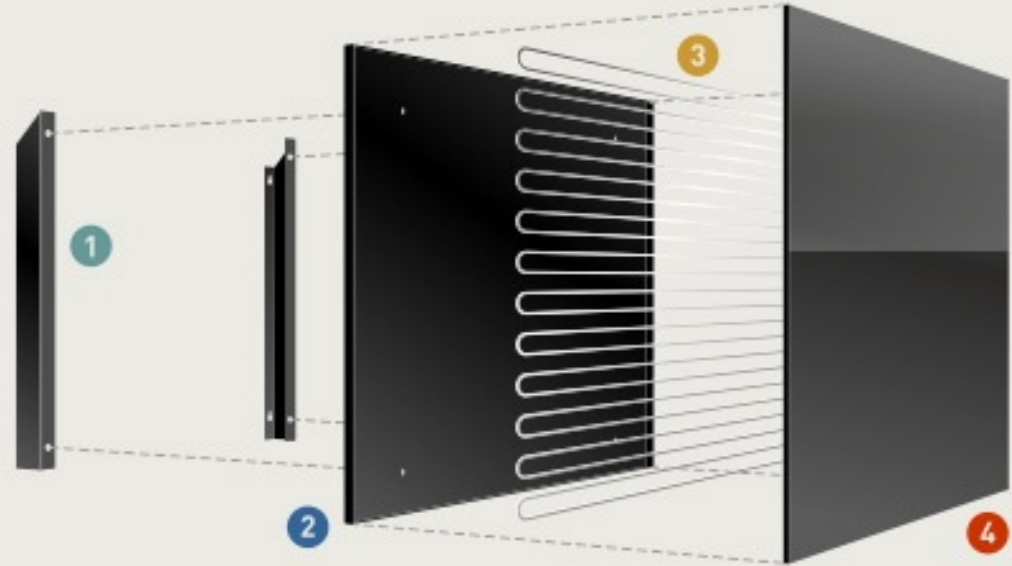
Capacity - 375 W

Warranty - 5 years

Heating area – 7m² or 20m³

PANEL'S CONSTRUCTION

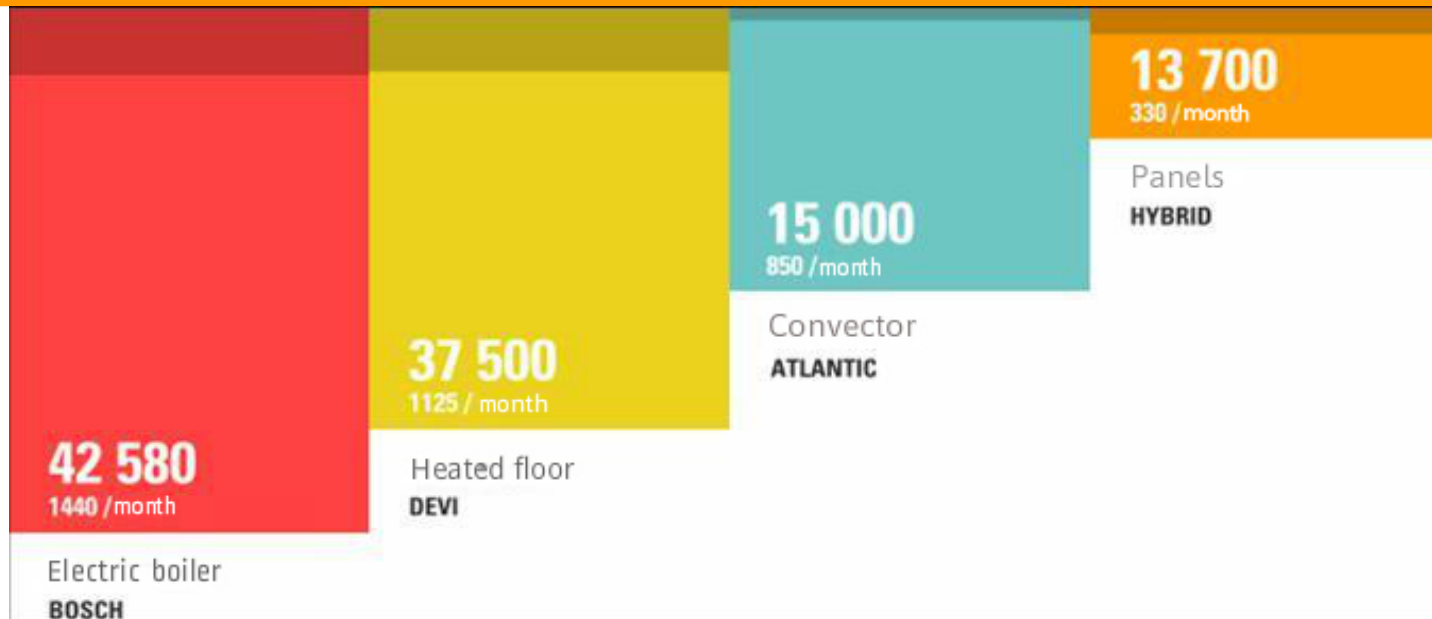
1. Mounting
2. Metal body
3. The heating element
4. Ceramic plate



Economy

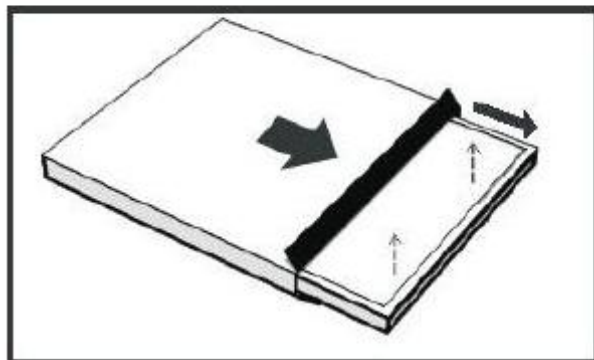
- A hybrid heating system significantly reduces the time required to evenly heat the entire room.
- Panels keep give away heat after the switch-off for 20-30 minutes without consuming energy. Working time is 10-12 hours per day.

Payment for heating, including the cost of equipment, installation and commissioning in operation (50 m² per year, UAH.)



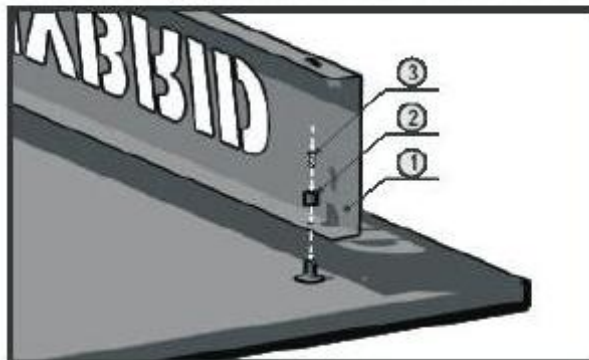
INSTALLATION

1. Extract



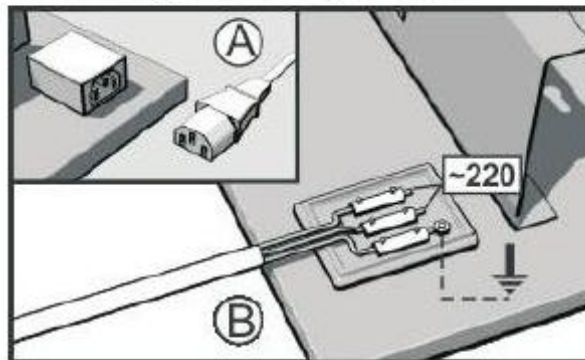
2. Mount bracket

1-mounting profile 2-sleeve 3-screw



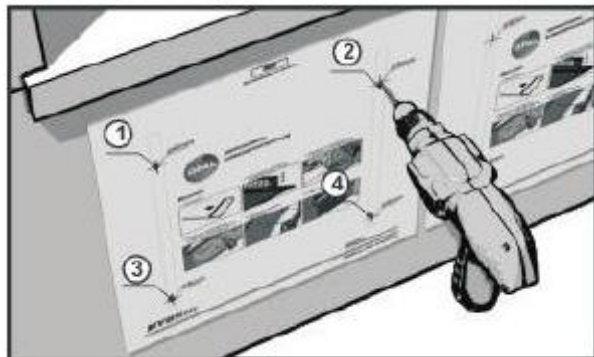
3. Connect the power

according to packing list A,B

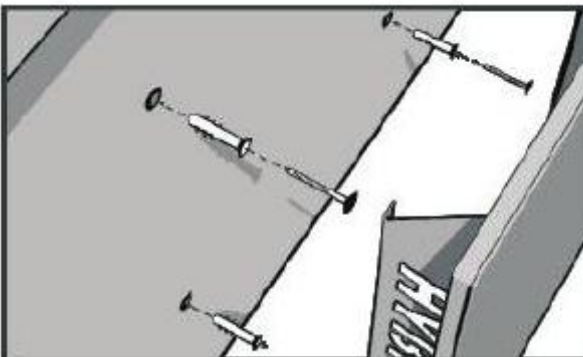


4. Mark and drill holes through the template

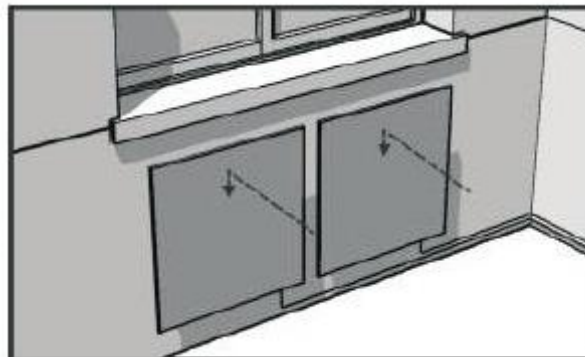
1234 marking for holes



5. Install anchors with screws



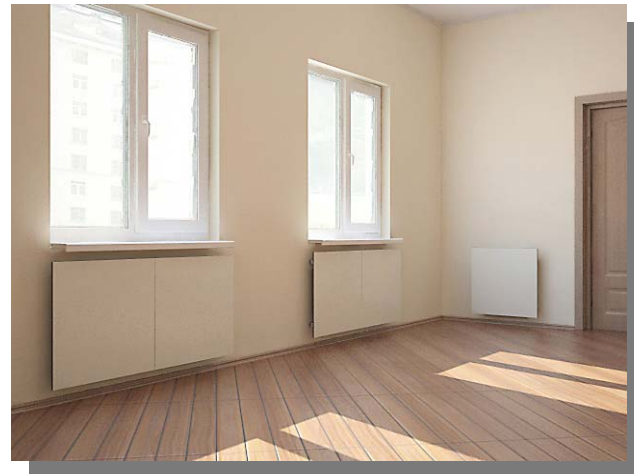
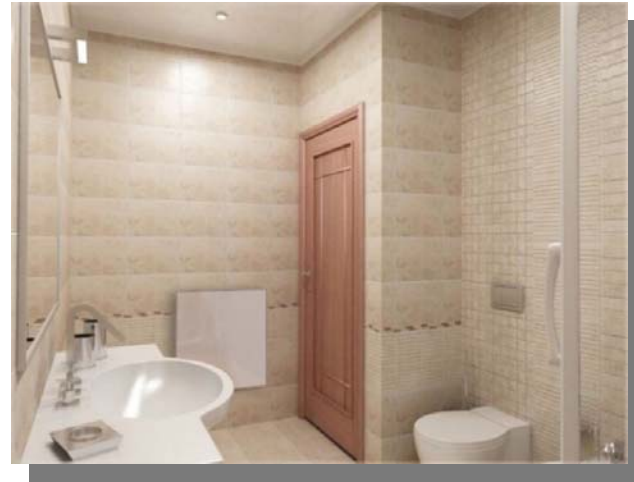
6. Hang the panel



MODERN STYLE



HOMELY COUSINESS



COUNTRY HOUSE



